

Product Change Notification

| | |
|--------|------------------|
| Number | 8UCMH-0040-1 |
| Date | December 1, 2021 |

Nidec Copal Electronics Corporation
 Ichinoseki office PS Division
 Quality Control Group

| | |
|---|---|
| Approved | Prepared |
|  Sato |  Takahash |

| | | | | |
|----------------------------|-----------------|---|------------------------------------|--|
| Change application details | Change details: | | | |
| | | Before | After change | |
| | | | Change 1 | Change 2 |
| | Type | Two Component Epoxy Adhesives | Two Component Epoxy Adhesives | One Component Epoxy Adhesives |
| | Producers | Sanyu Rec | Sanyu Rec | ThreeBond |
| | Main agent | SR-20 | SR-15 | TB2206 |
| | | Bisphenol a Diglycidyl Ether Resin | Bisphenol a Diglycidyl Ether Resin | Bisphenol a Diglycidyl Ether Resin Aluminum oxide |
| | Hardener | RH 3233 | H 230 | No use |
| | | Aliphatic amines 3-Dimethylaminopropylamine 4,4'-Methylenedianiline | Aliphatic amines | |
| | Color | Milky white | White | Black |

Reason for change:

The adhesive has a new model. The adhesive before the change cannot be purchased cheaply. The adhesive before the change contains SVHC.

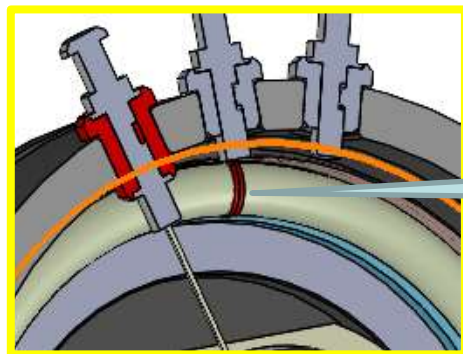
The strength of the adhesive is the same. Performance and life are not affected

Effective date of change:

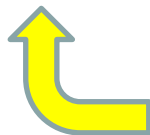
Effective May 1, 2022 production

| Page | Series | Page | Series |
|------|---------------------|------|------------------|
| 1 | J40, J45, JM45, J50 | 10 | JCC-065 |
| 2 | JC10 | 11 | JCF51 |
| 3 | JC22 (JC22S) | 12 | JCL |
| 4 | JC22E | 13 | M-1303, M-1305 |
| 5 | JC30 | 14 | M-22E10 |
| 6 | JC40 | 15 | M-22S10, M22L10 |
| 7 | JCC-020 | 16 | MC1003 |
| 8 | JCC-032 | 17 | RE20F |
| 9 | JCC-062 | 18 | REC16A/B, RES16B |

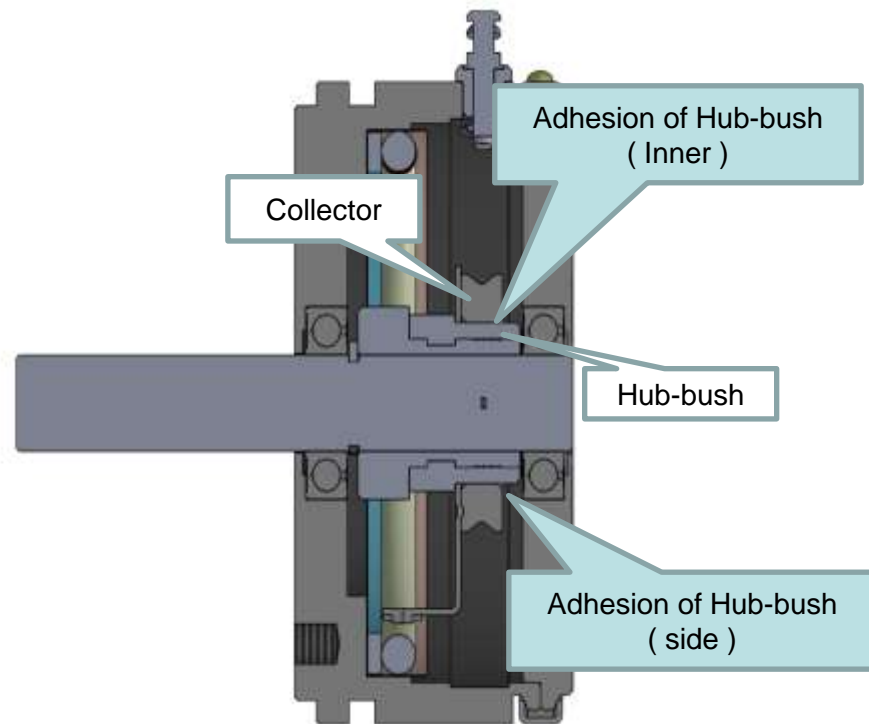
TB2206



Adhesion of resistors



Resistors



Collector

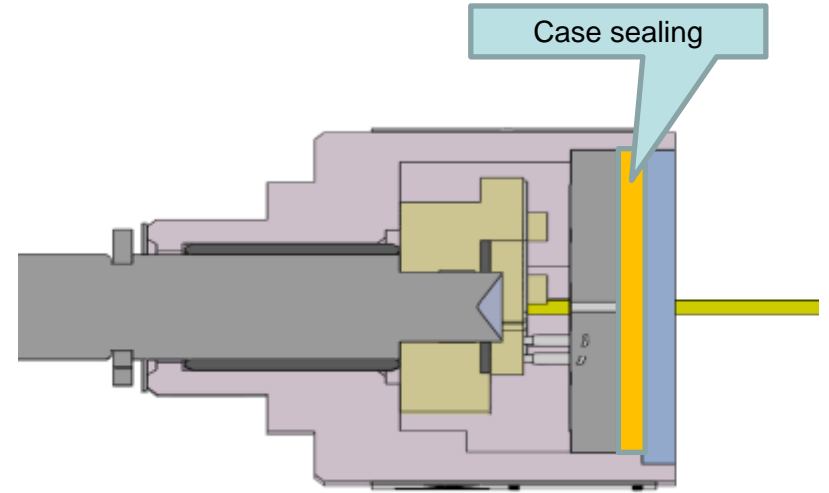
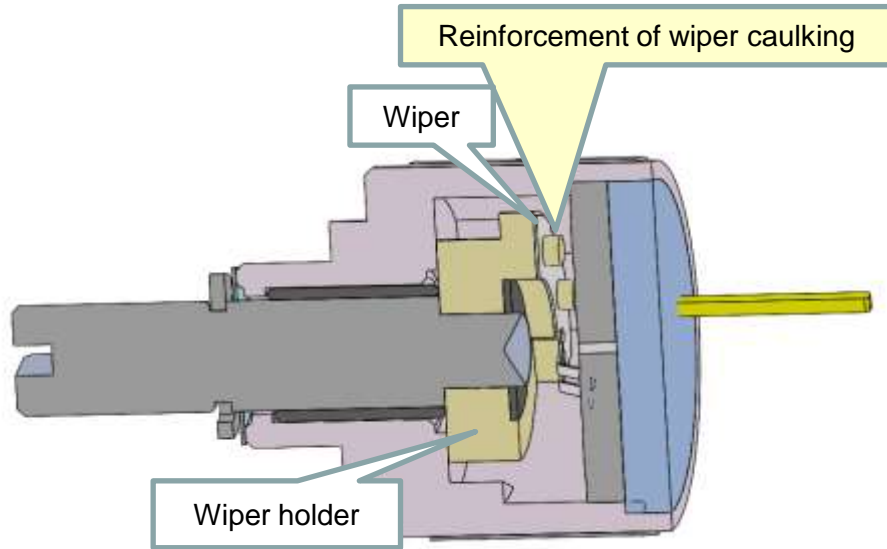
Adhesion of Hub-bush
(Inner)

Hub-bush

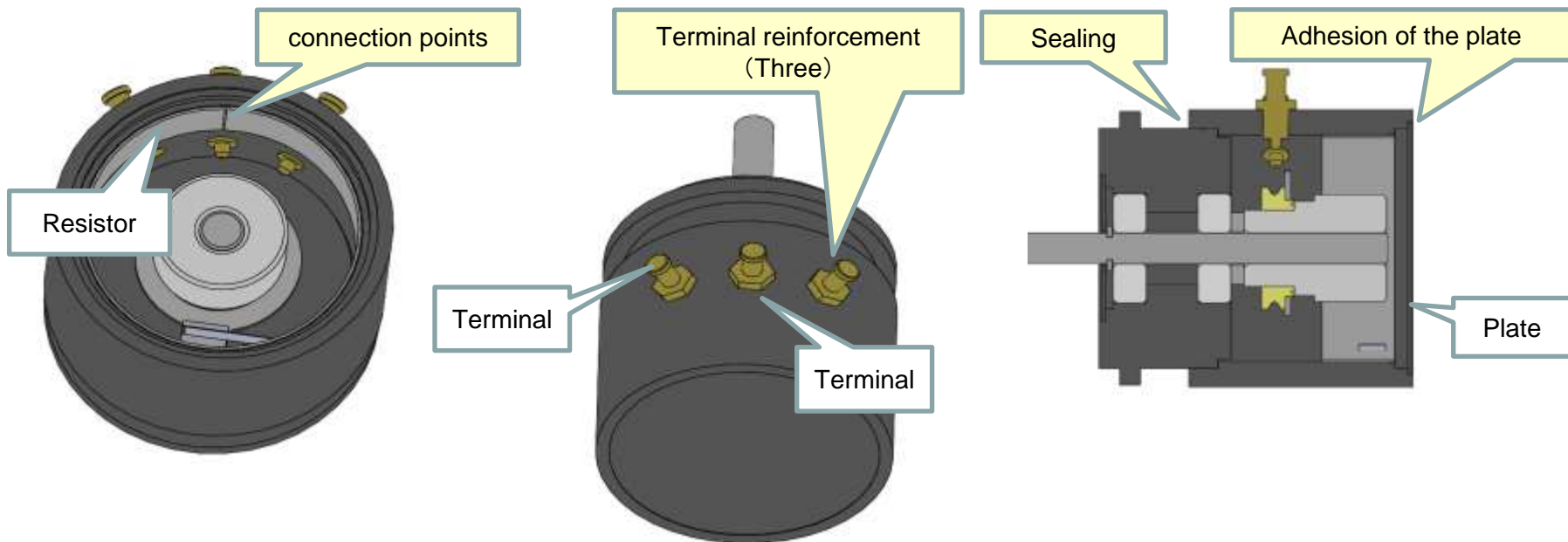
Adhesion of Hub-bush
(side)

SR15+H230

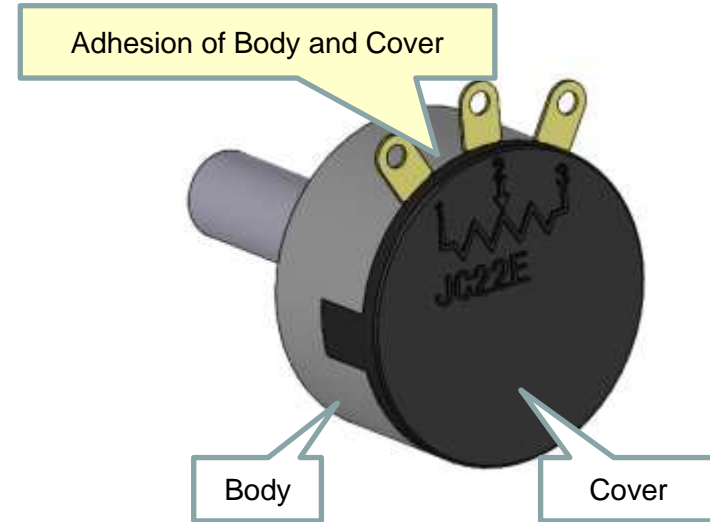
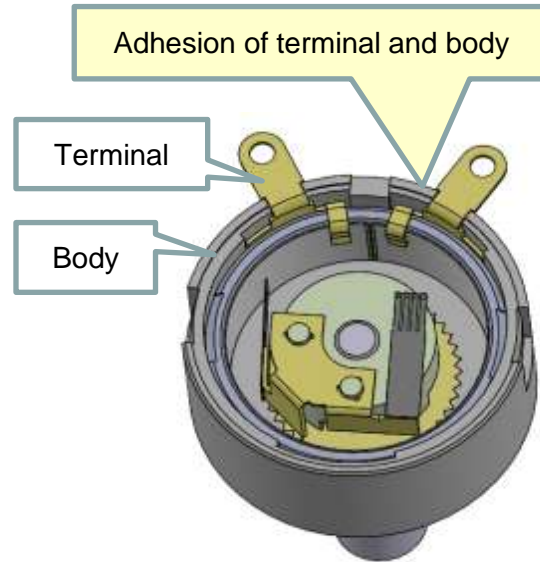
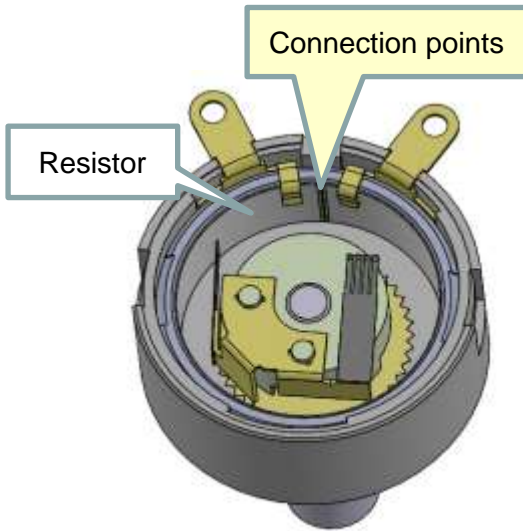
TB2206



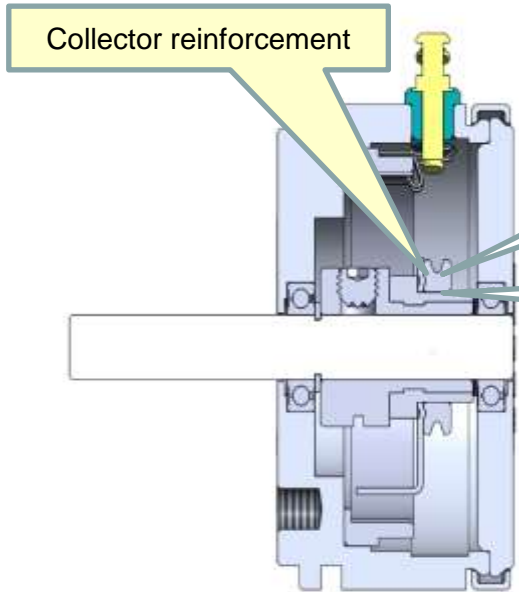
SR15+H230



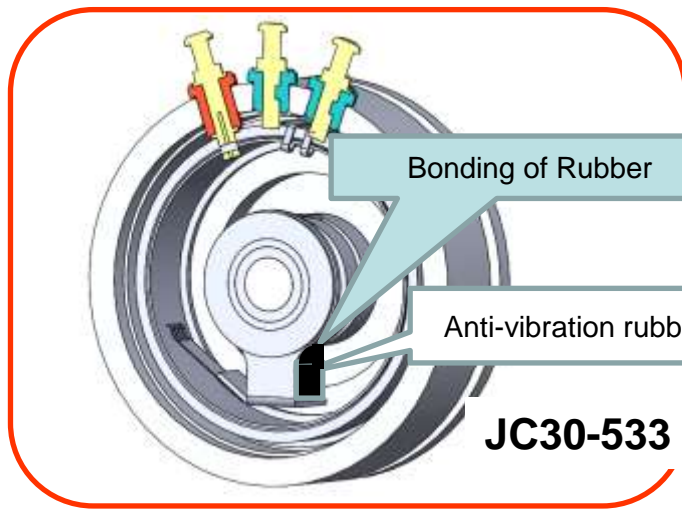
SR15+H230



SR15+H230

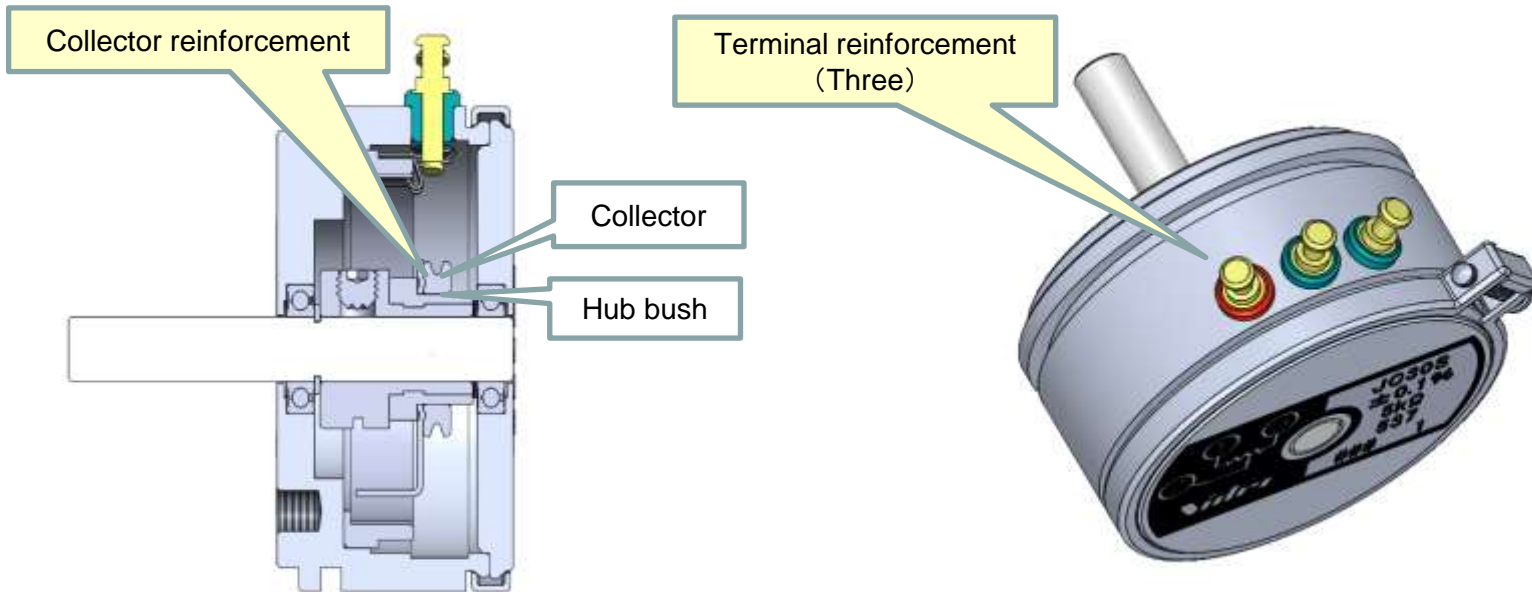


Terminal reinforcement (Three)

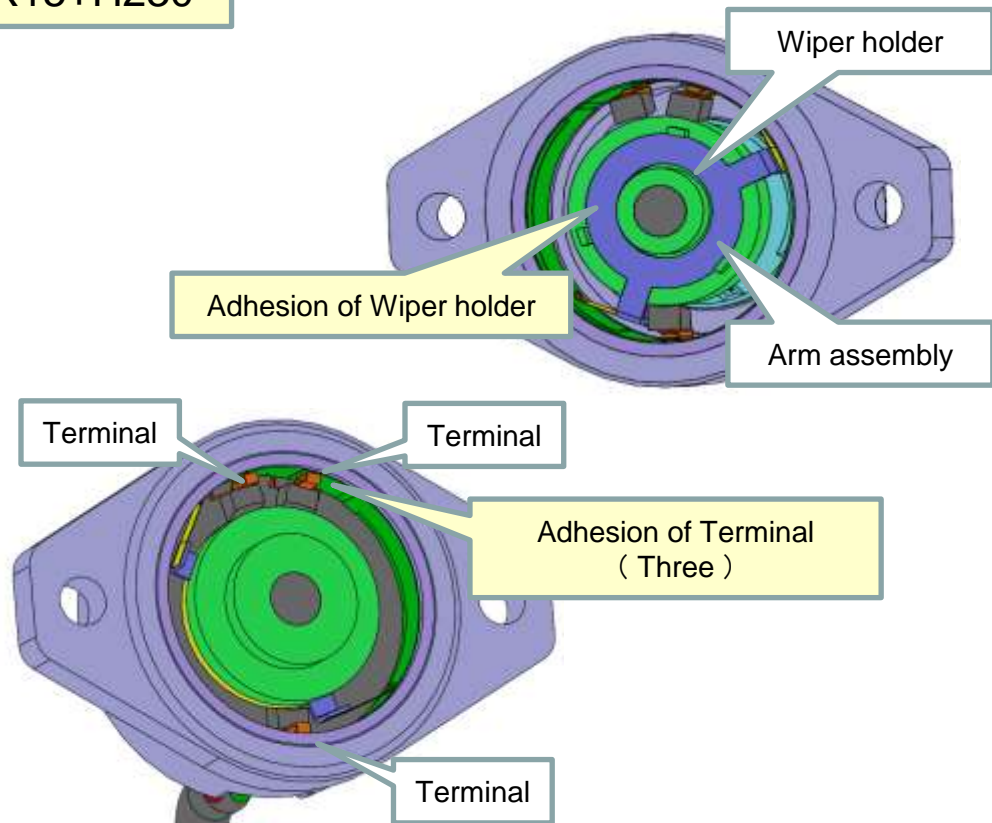
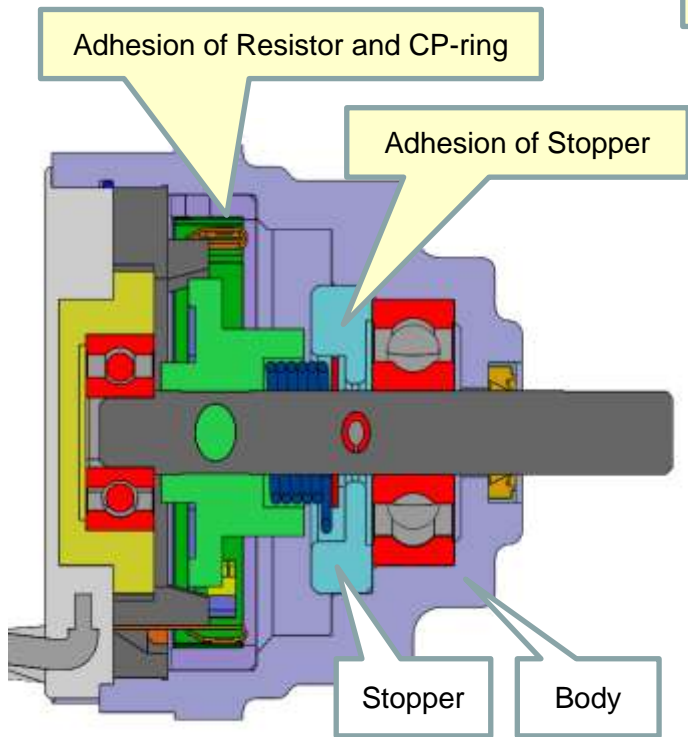


JC30-533 and 534 only

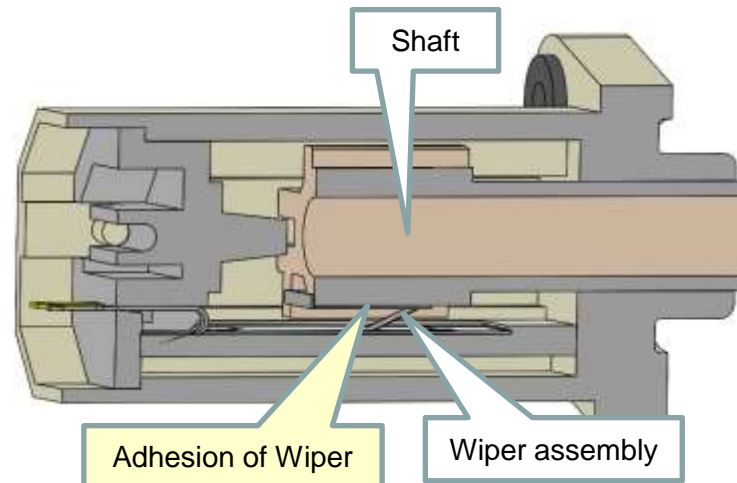
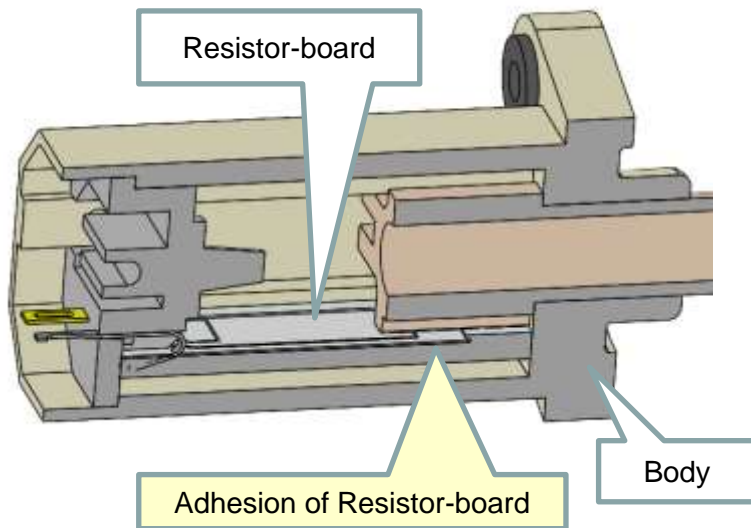
SR15+H230



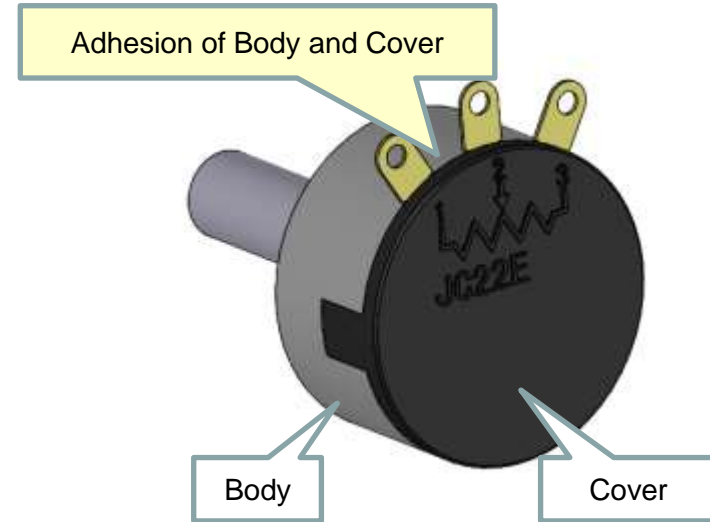
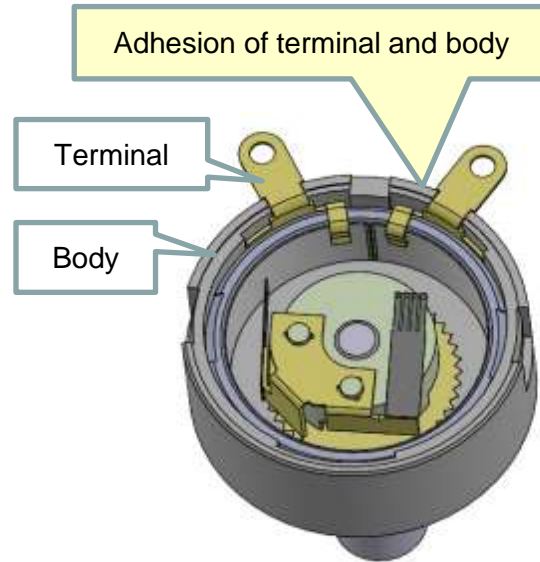
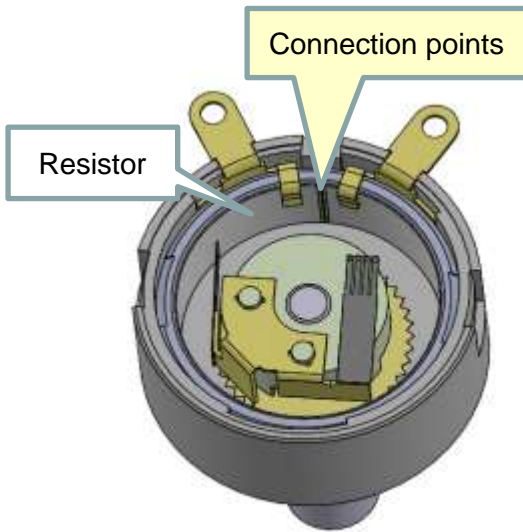
SR15+H230

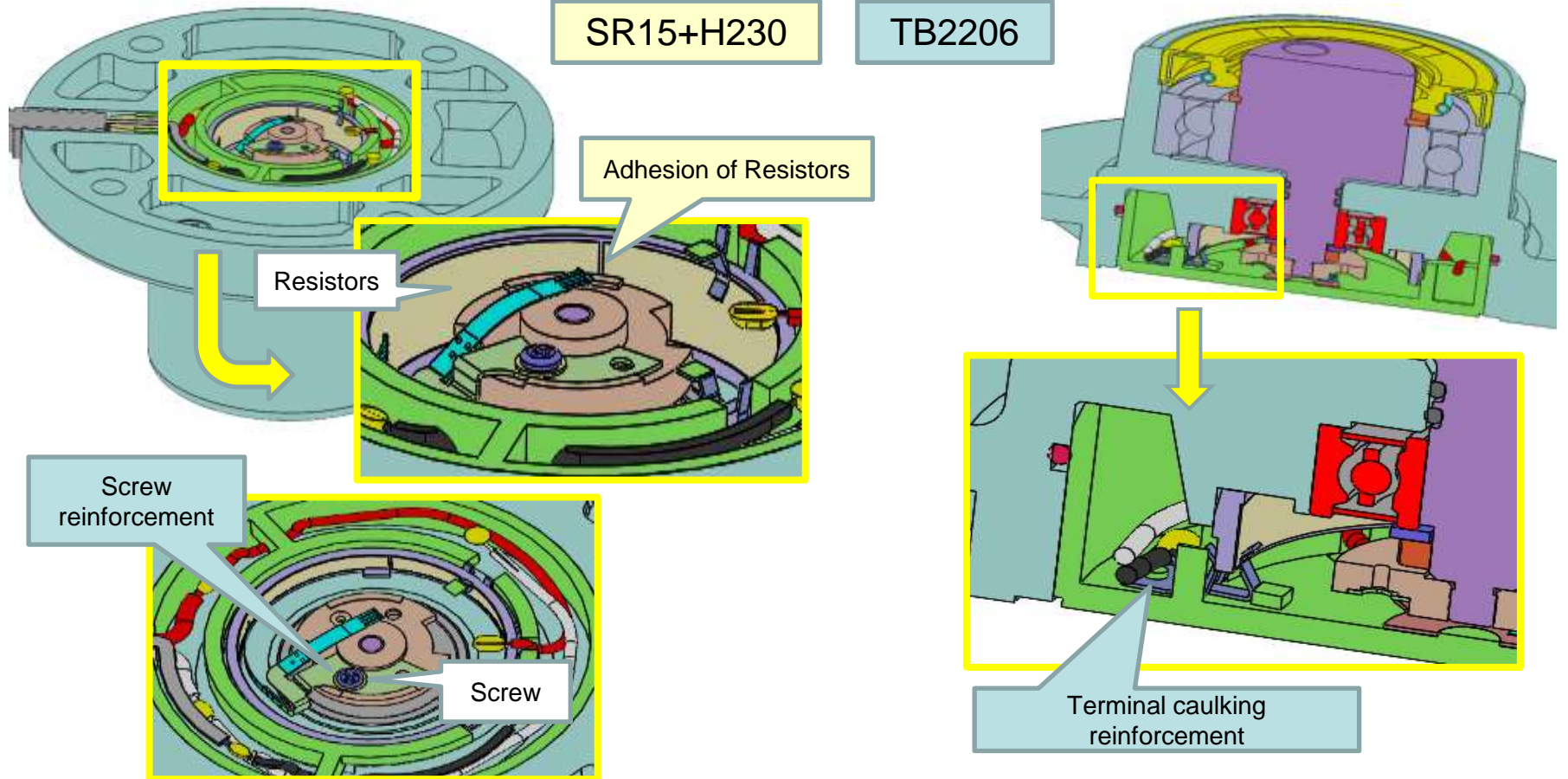


SR15+H230

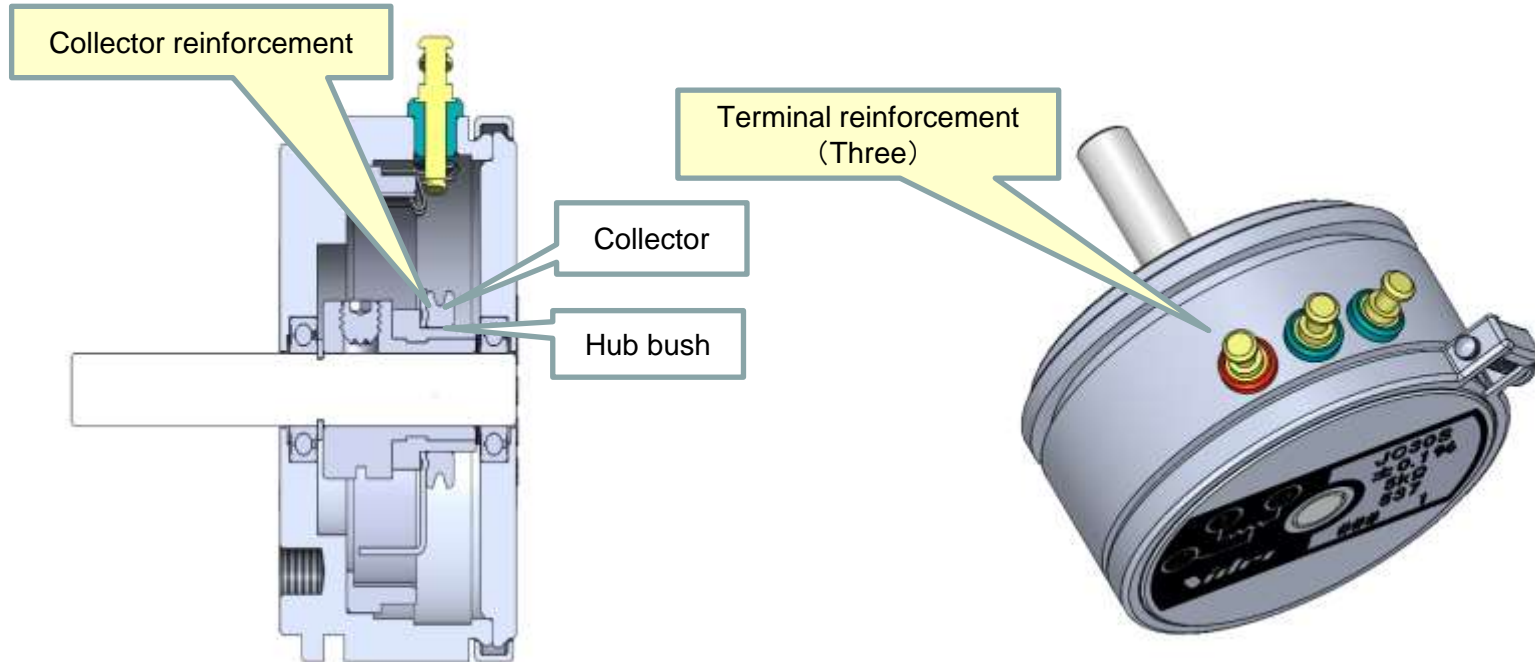


SR15+H230



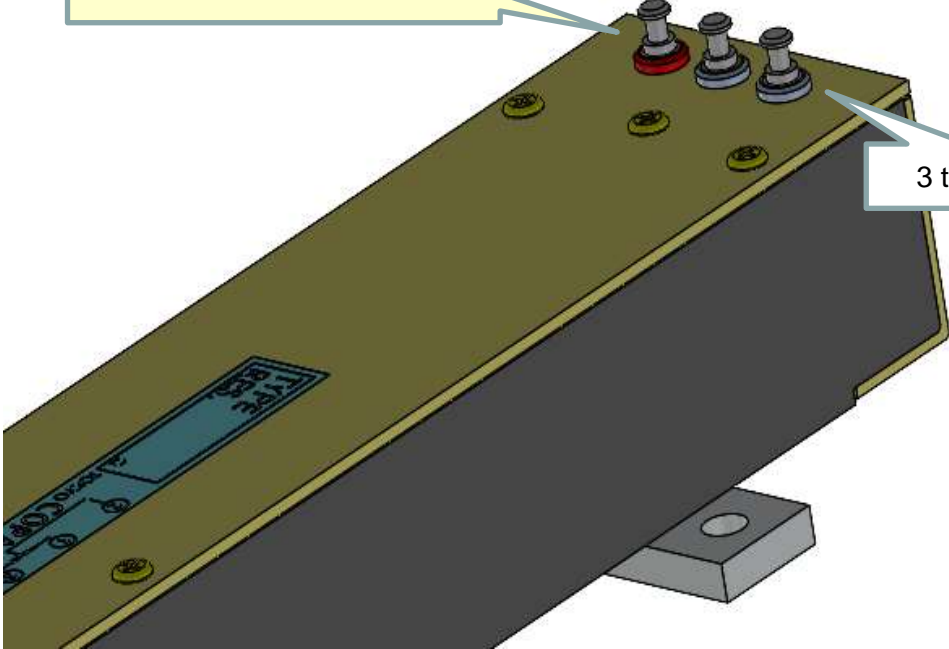


SR15+H230



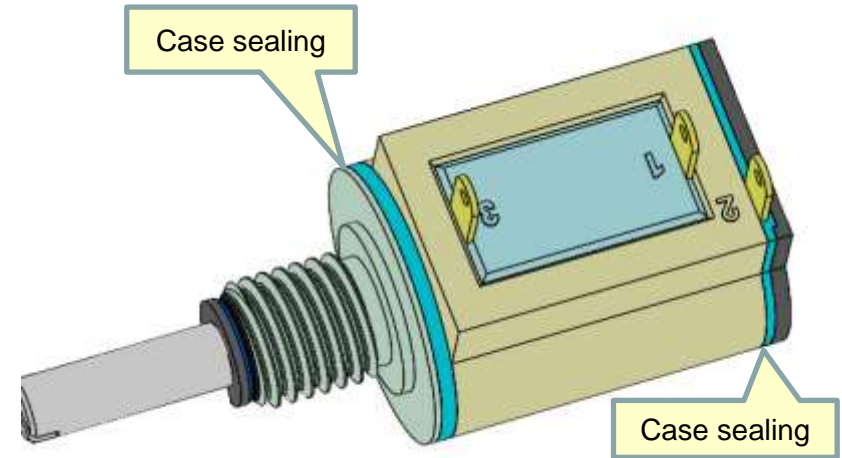
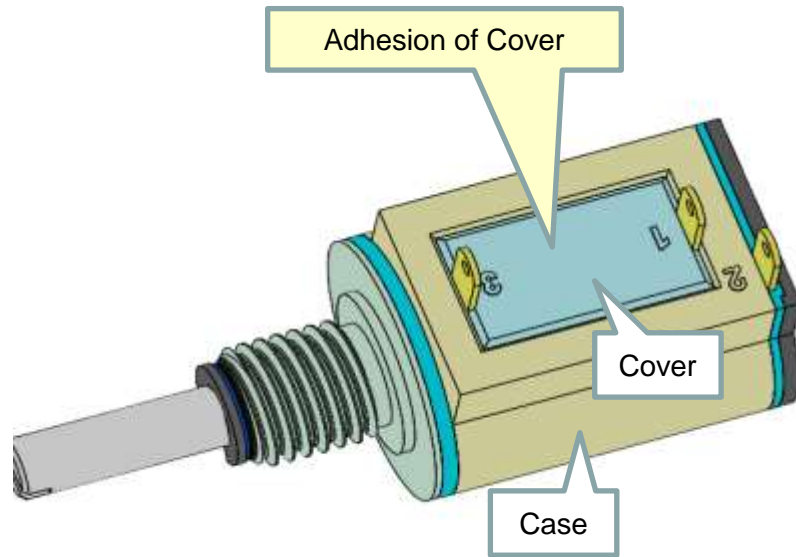
SR15+H230

Terminal reinforcement

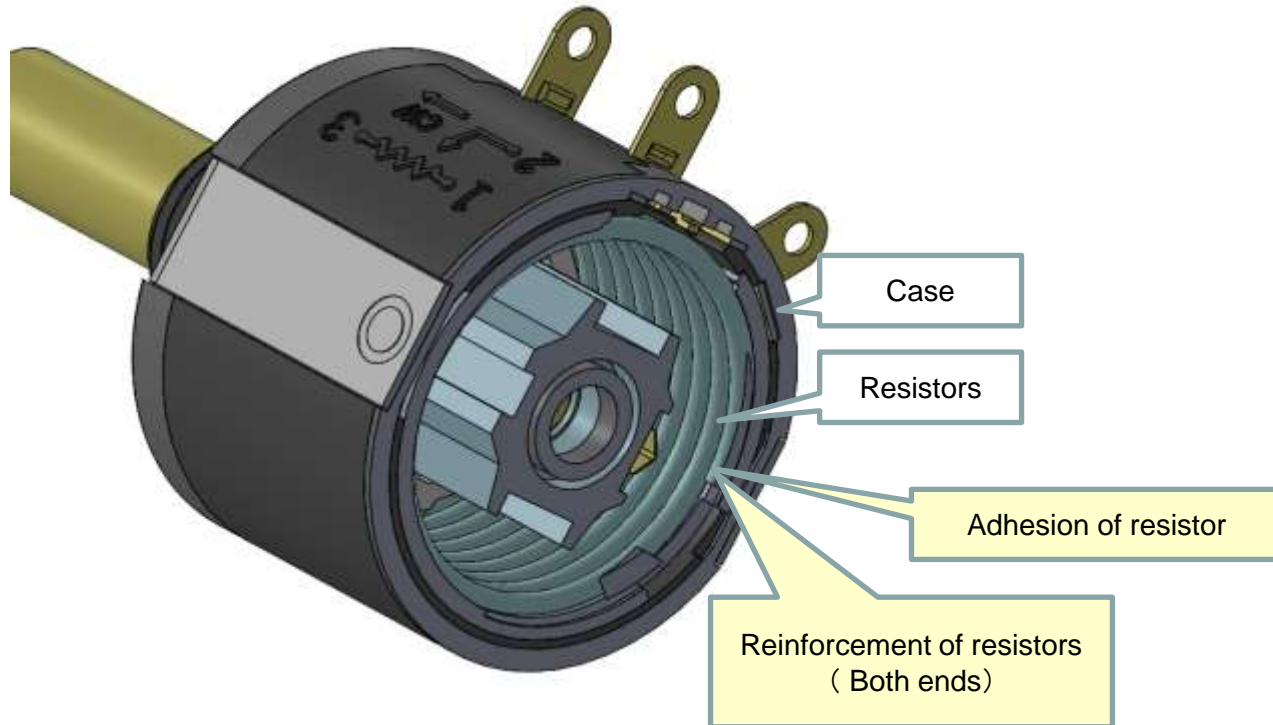


3 terminals

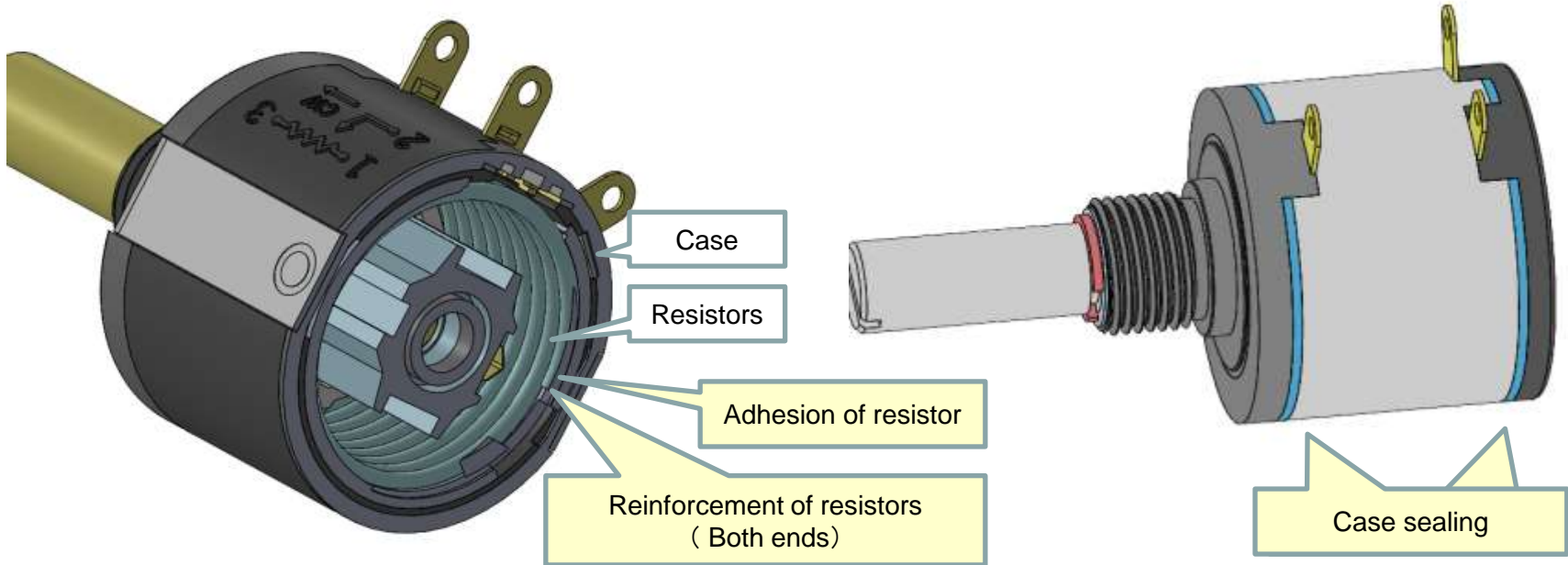
SR15+H230



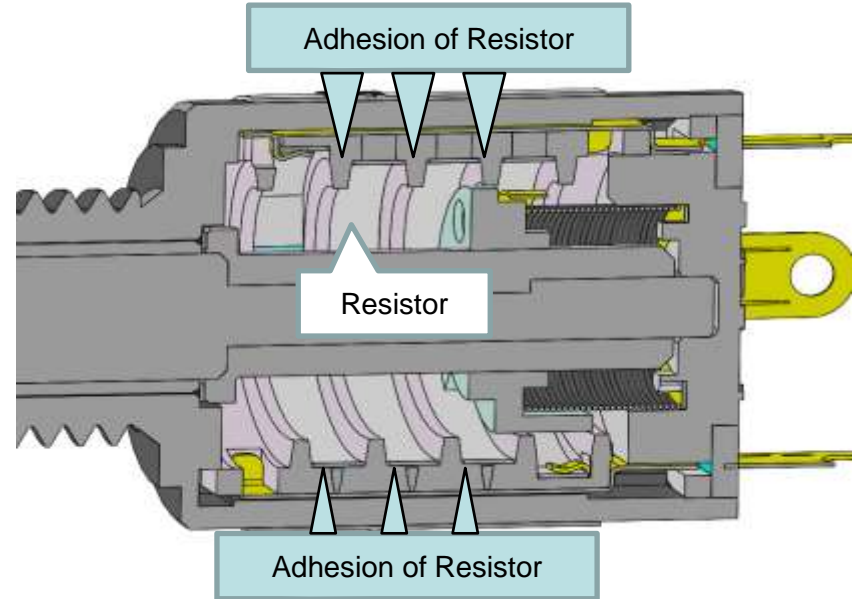
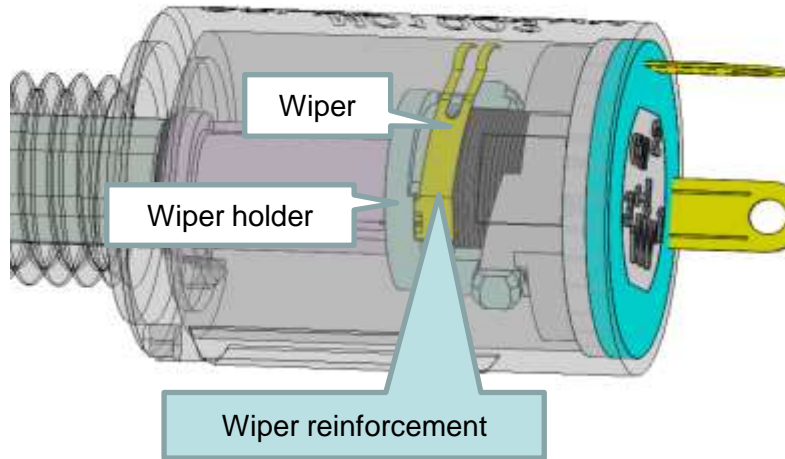
SR15+H230



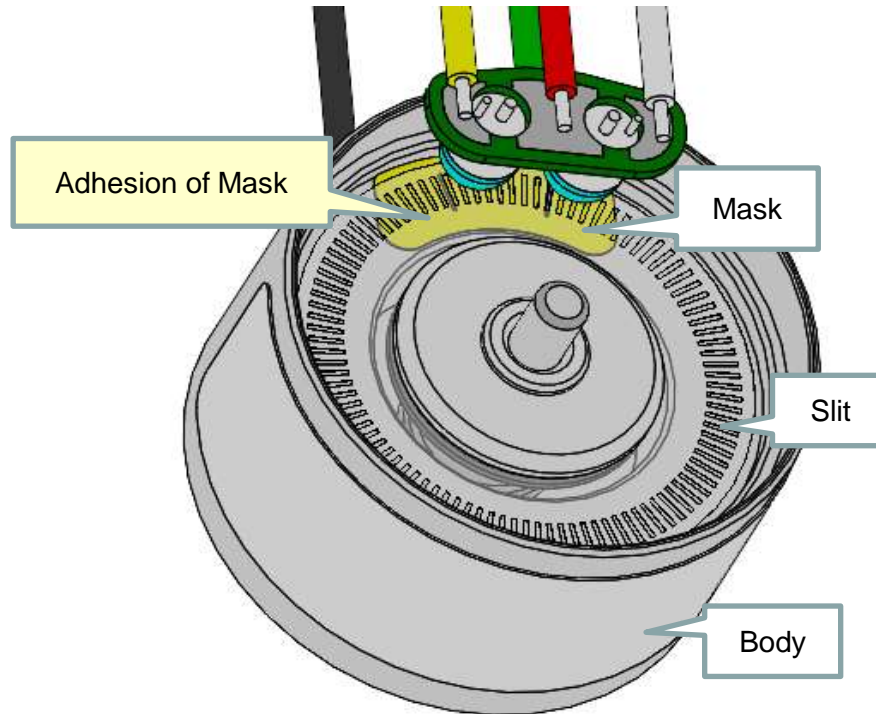
SR15+H230



SR15+H230



SR15+H230



TB2206

